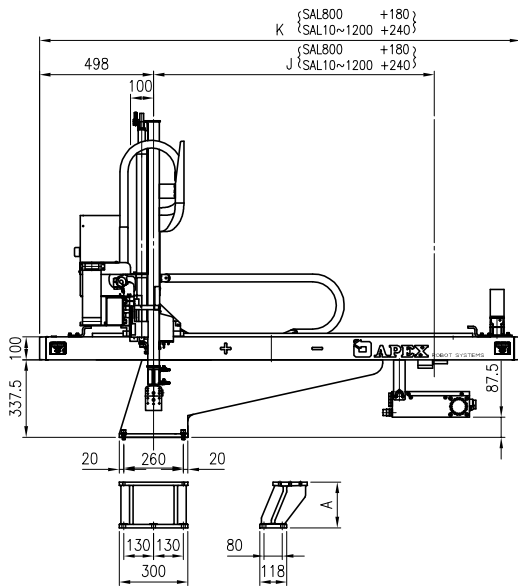
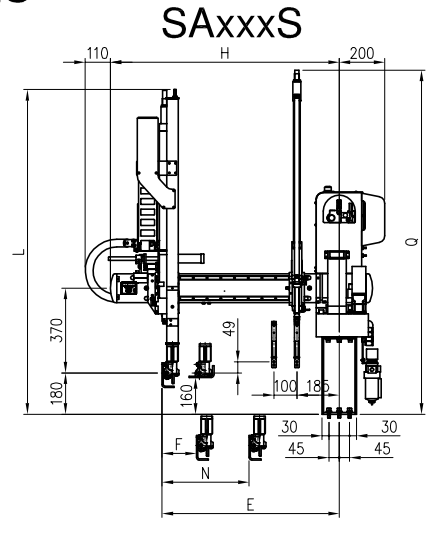
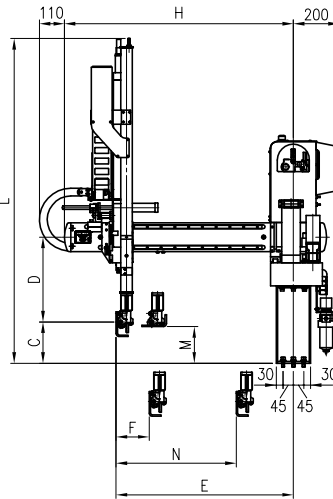


Mechanical Drawings

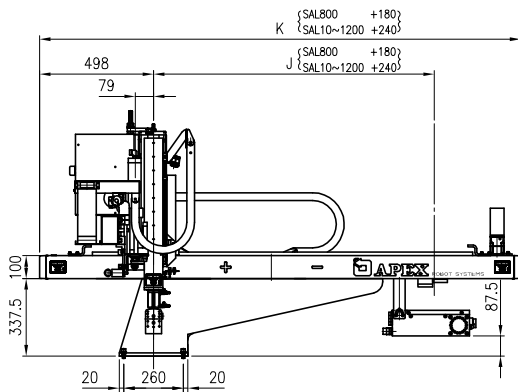


A
150
200
250
300
350



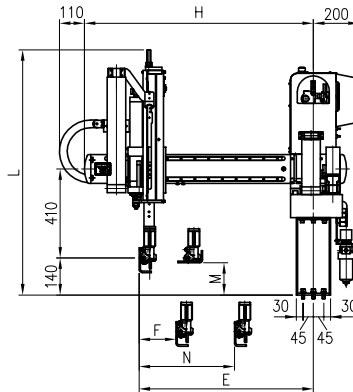
Model No.	C	D	E	F	H	J	K	L	M	N
SA800	180	370	894	200	1120	1226	2126	1537	160	680
SA1000	180	370	1019	250	1240	1406	2306	1717	160	800
SA1200	157	393	1028	300	1240	1646	2546	1917	127	800

Model No.	E	F	H	J	K	L	N	Q
SA800S	894	200	1120	1226	2126	1537	500	1682
SA1000S	1019	250	1240	1406	2306	1717	620	1882

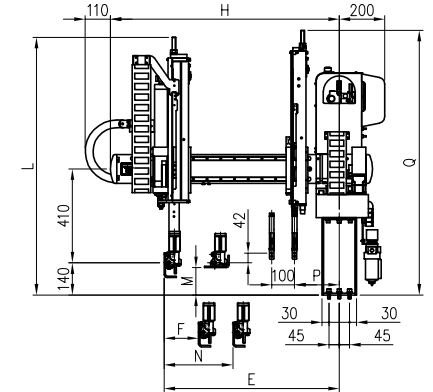


Model No.	E	F	H	J	K	L	M	N
SA800D	884	200	1120	1226	2126	1175	120	630
SA1000D	1013	250	1240	1406	2306	1275	120	750
SA1200D	1013	300	1240	1646	2546	1375	110	750

SAxxxxD



SAxxxxDS



Model No.	E	F	H	J	K	L	M	N	P	Q
SA800DS	884	200	1120	1226	2126	1175	120	420	195	1205
SA1000DS	1013	250	1240	1406	2306	1275	120	505	226	1305
SA1200DS	1013	300	1240	1646	2546	1375	110	505	226	1405

Technical Specifications

Model No.		Dry Cycle (sec.)		I.M.M. Range (Tonne)	Stroke (mm)				Max. Payload (kgs)	Net Weight (kgs)	Comp. Air Consumption (NL/Cycle)		
		Take-Out	Cycle		Crosswise		Vertical	Traverse					
					Main	Sub	Main	Sub	Main	Sub			
SA800	Single-stage & Single-Arm	1.2	11	80-200	200	100	800	850	1226	3	—	180	37
SA800S	Single-stage & Double-Arm										3	190	42.5
SA800D	Telescopic & Single-Arm										—	200	32.5
SA800DS	Telescopic & Double-Arm	1.4	12	200-450	250	100	1000	1050	1406	3	3	210	41
SA1000	Single-stage & Single-Arm										—	185	46.5
SA1000S	Single-stage & Double-Arm										3	195	52
SA1000D	Telescopic & Single-Arm	1.6	13	450-650	300	100	1200	1250	1646	6	—	210	40.5
SA1000DS	Telescopic & Double-Arm										3	220	50.5
SA1200	Single-stage & Single-Arm										—	190	59.5
SA1200D	Telescopic & Single-Arm	—	215	51.5									
SA1200DS	Telescopic & Double-Arm	3	230	63.5									