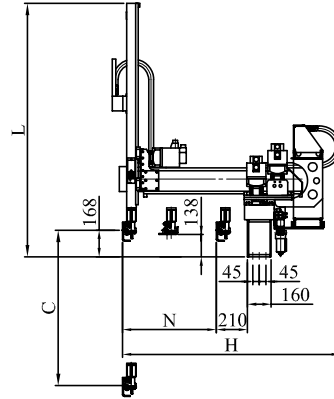
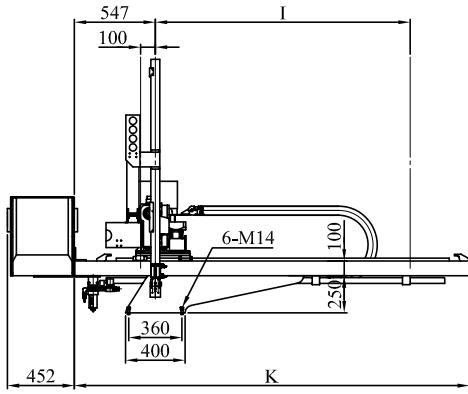


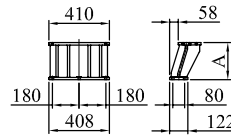
Mechanical Drawings

SC900~SC1300



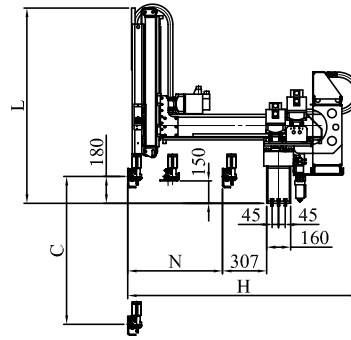
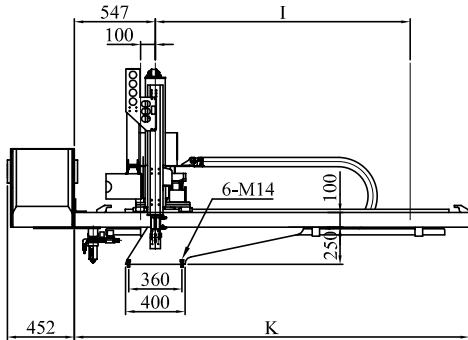
Model No.	C	H	I	K	L	N
SC900	900	1472	1710	2746	1739	600
SC1100	1100	1652	1950	2986	1939	780
SC1300	1300	1772	2130	3166	2139	900

Extension traverse available : 2600mm & 3000mm



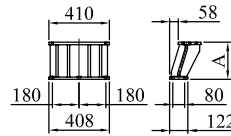
A
100
150
200
250
300
350

SC900D~SC1300D



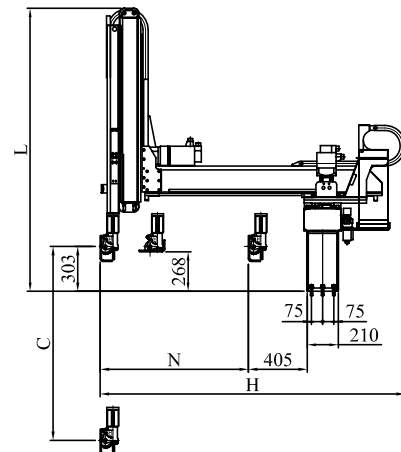
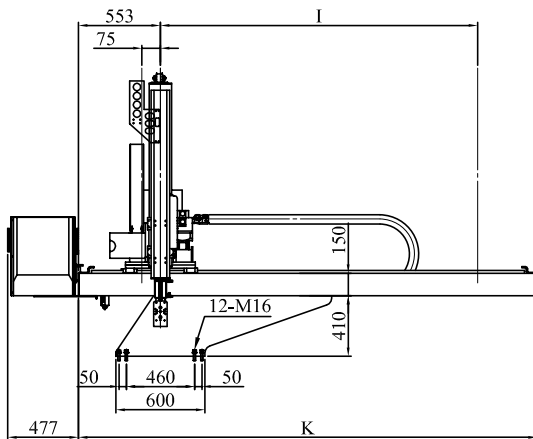
Model No.	C	H	I	K	L	N
SC900D	900	1569	1710	2746	1325	600
SC1100D	1100	1749	1950	2986	1405	780
SC1300D	1300	1869	2130	3166	1505	900

Extension traverse available : 2600mm & 3000mm



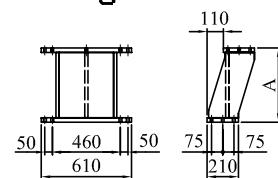
A
100
150
200
250
300
350

SC1500D~SC2000D



Model No.	C	H	I	K	L	N
SC1500D	1500	2058	2190	3156	1920	950
SC1700D	1700	2298	2310	3276	2040	1190
SC2000D	2000	2538	2490	3456	2160	1430

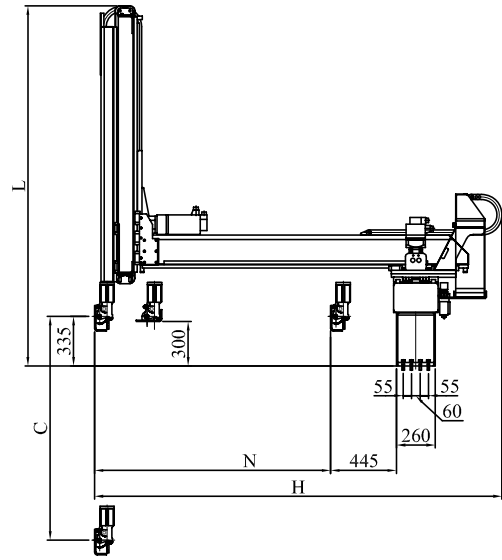
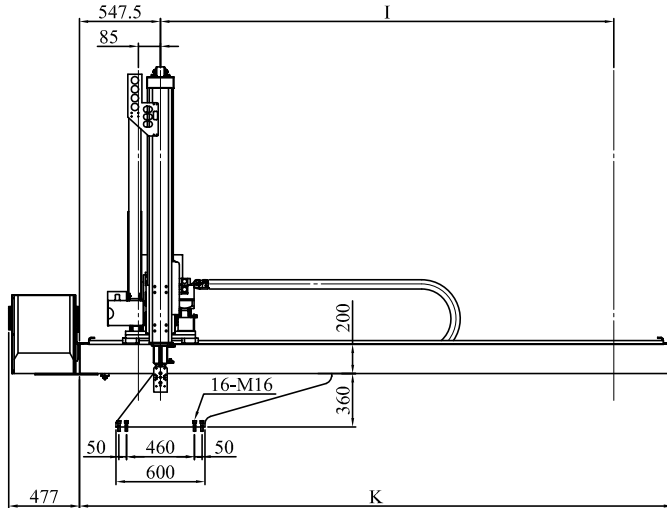
Extension traverse available : 3000mm & 3500mm



A
300
400
500

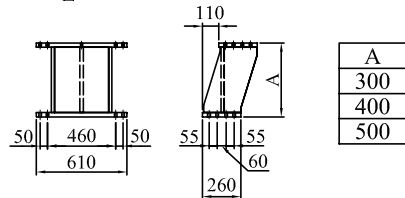
Mechanical Drawings

SC2500D~SC3000D



Model No.	C	H	I	K	L	N
SC2500D	2500	2750	3010	4005	2442	1550
SC3000D	3000	3170	3010	4005	2682	1970

Extension traverse available : 4000mm & 5000mm



Technical Specifications

Model No.		Stroke (mm)			Max. Payload (kg)	Net Weight (kg)	Operating Air Pressure
		Crosswise (kick) (N)	Vertical (C)	Traverse (I)			
SC900	Single-stage	600	900	1710	12	520	5 kg / cm ²
SC1100	Single-stage	780	1100	1950	12	530	
SC1300	Single-stage	900	1300	2130	12	540	
SC900D	Telescopic	600	900	1710	12	530	
SC1100D	Telescopic	780	1100	1950	12	540	
SC1300D	Telescopic	900	1300	2130	12	550	
SC1500D	Telescopic	950	1500	2190	30	710	
SC1700D	Telescopic	1190	1700	2310	30	730	
SC2000D	Telescopic	1430	2000	2490	30	750	
SC2500D	Telescopic	1550	2500	3010	50	980	
SC3000D	Telescopic	1970	3000	3010	50	1000	

Operation Voltage: AC 220V 3 phase