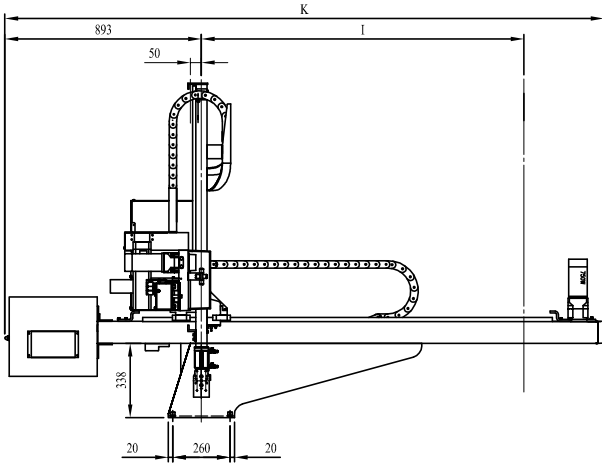
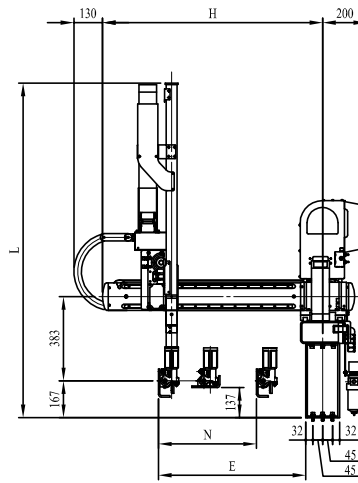


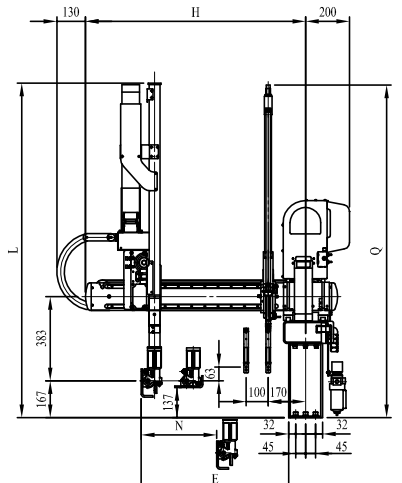
Mechanical Drawings



Model No.	E	H	I	K	L	N
SB800	789	1120	1525	2941	1639	566
SB1000	909	1240	1765	3181	1819	686
SB1200	909	1240	2005	3421	2019	686
SB1400	909	1240	2005	3421	2219	686

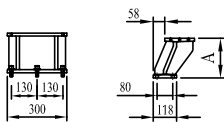
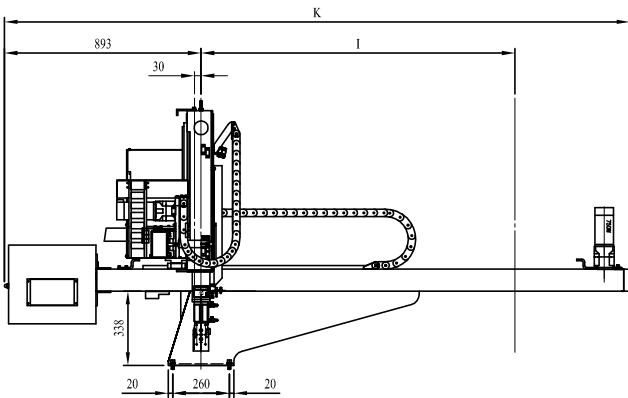


SBxxx



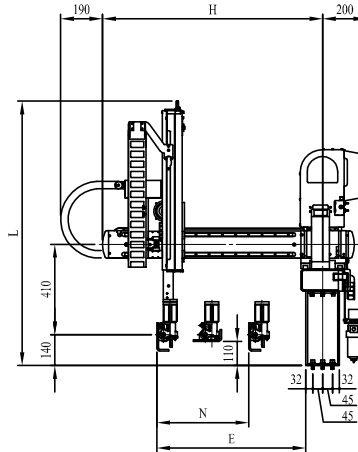
SBxxxS

Model No.	E	H	I	K	L	N	Q
SB800S	789	1120	1525	2941	1639	463	1682
SB1000S	909	1240	1765	3181	1819	583	1882

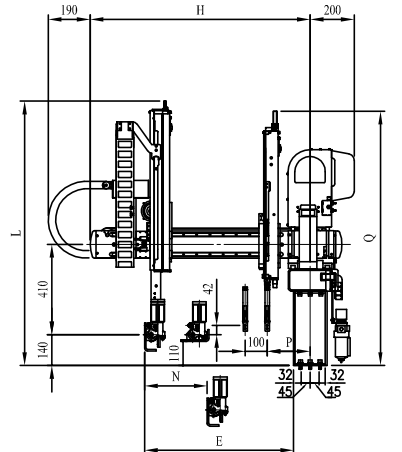


A
150
200
250
300
350

Model No.	E	H	I	K	L	N
SB800D	796	1120	1525	2941	1250	537
SB1000D	916	1240	1765	3181	1350	657
SB1200D	916	1240	2005	3421	1450	657
SB1400D	916	1240	2005	3421	1550	657



SBxxxD



SBxxxDS

Model No.	E	H	I	K	L	N	P	Q
SB800DS	796	1120	1525	2941	1250	404	195	1205
SB1000DS	916	1240	1765	3181	1350	487	226	1305
SB1200DS	916	1240	2005	3421	1450	487	226	1405

Technical Specifications

Model No.		Dry Cycle (sec.)		Stroke (mm)				Max. Payload (kg)		Net Weight (kg)	Operating Air Pressure		
		Take-Out	Cycle	Crosswise		Vertical	Traverse	Main	Sub				
				Main	Sub							Main	Sub
SB800	Single-stage & Single-Arm	1.2	9	566	—	800	1525	8	—	230	5kg/cm ²		
SB800S	Single-stage & Double-Arm			463	100				850			3	240
SB800D	Telescopic & Single-Arm			537	—	800			—			250	
SB800DS	Telescopic & Double-Arm			404	100				850			3	260
SB1000	Single-stage & Single-Arm	1.3	10	686	—	1000	1765	8	—	235			
SB1000S	Single-stage & Double-Arm			583	—				1050			3	245
SB1000D	Telescopic & Single-Arm			657	—	1000			—			260	
SB1000DS	Telescopic & Double-Arm			487	100				1050			3	270
SB1200	Single-stage & Single-Arm	1.4	11	686	—	1200	2005	8	—	240			
SB1200D	Telescopic & Single-Arm			657	—				—			—	265
SB1200DS	Telescopic & Double-Arm			487	100				1250			3	280
SB1400	Single-stage & Single-Arm	1.6	12	686	—	1400	2005	8	—	290			
SB1400D	Telescopic & Single-Arm			657	—				—		—	300	

Operation Voltage : AC 220V SINGLE PHASE