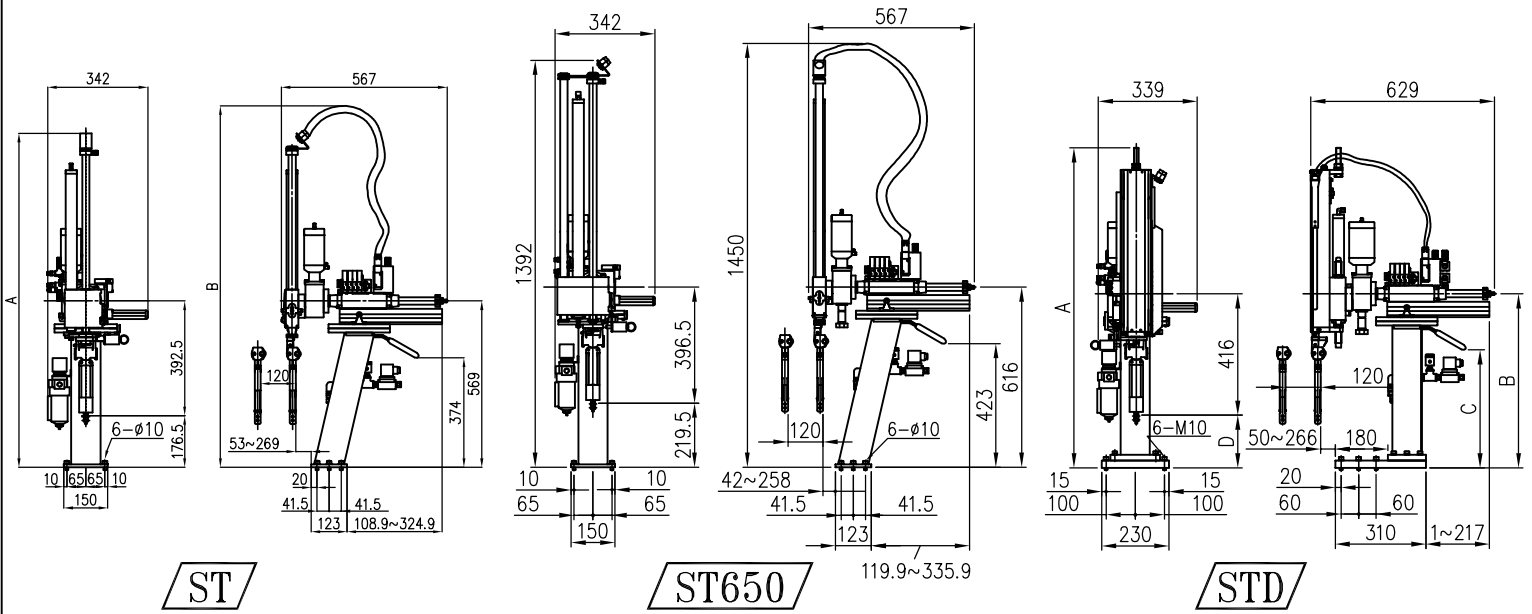
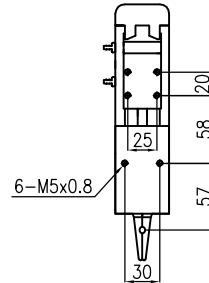
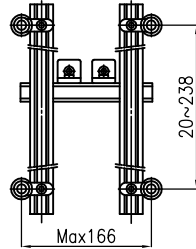


Mechanical Drawings



Model No.	A	B
ST450/STV450	1142	1236
ST550/STV550	1242	1336



Model No.	A	B	C	D
ST550D/STV550D	1094	596	403	180
ST650D/STV650D	1194	646	453	230
ST750D/STV750D	1294	696	503	280
ST850D/STV850D	1394	746	553	330
ST950D/STV950D	1494	796	603	380

Technical Specifications

Model No.	Dry Cycle (Sec.)		I.M.M. Range (Tonne)	Vertical Stroke (mm)	Net Weight (Kgs)	Comp. Air Consumption (NL/Cycle)
	Take-out	Cycle				
ST450	Single-Stage	0.7	3.4	25~125	450	39
STV450	Single-Stage					
ST550	Single-Stage	0.7	3.7	60~150	550	40
ST550D	Telescopic					
STV550	Single-Stage	0.7	3.7	125~250	650	41
STV550D	Telescopic					
ST650	Single-Stage	1.2	4.2	200~350	750	44
ST650D	Telescopic					
STV650	Single-Stage	1.2	4.2	300~450	850	45
STV650D	Telescopic					
ST750D	Telescopic	0.8	3.8	400~700	950	55
STV750D	Telescopic					
ST850D	Telescopic	1.0	4.0	60	18.5	57
STV850D	Telescopic					
ST950D	Telescopic	1.2	4.2	60	18.5	59
STV950D	Telescopic					

Strip Stroke : 120mm

Operation Voltage : Single Phase 220V 50/60 HZ 1A

MAX. Payload : 3 kg

Compressed Air : 0.5 MPa (5 bar)