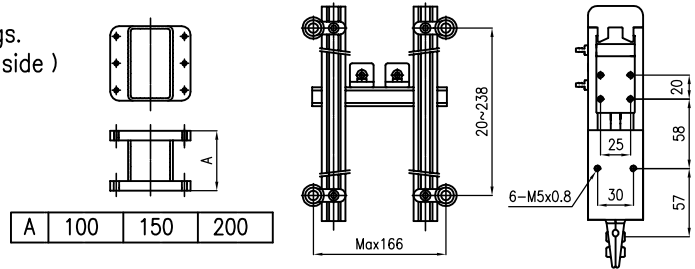


# ROBOT SYSTEMS

Model No.		Dry Cycle (sec.)		I.M.M. Range (Tons)	Vertical Stroke (mm)	Net Weight (kgs)	Air Consumption (l /Cycle)
		Take-Out	Cycle				
YS450	Standard Model	0.6	3.1	25~150	450	33	9
YST450	With Twist						
YSTV450	With Twist & Vacuum						
YS550	Standard Model	0.7	3.2	60~180	550	33.5	10
YST550	With Twist						
YSTV550	With Twist & Vacuum						
YS650	Standard Model	0.8	3.4	120~250	650	34	11
YST650	With Twist						
YSTV650	With Twist & Vacuum						
YS750	Standard Model	1.0	3.8	200~350	750	34.5	12
YST750	With Twist						
YSTV750	With Twist & Vacuum						
YS850	Standard Model	1.2	4.0	300~450	850	35	13
YST850	With Twist						
YSTV850	With Twist & Vacuum						

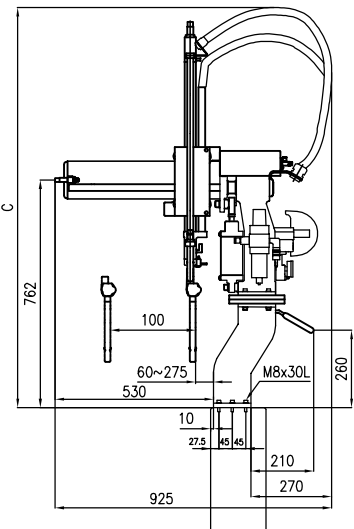
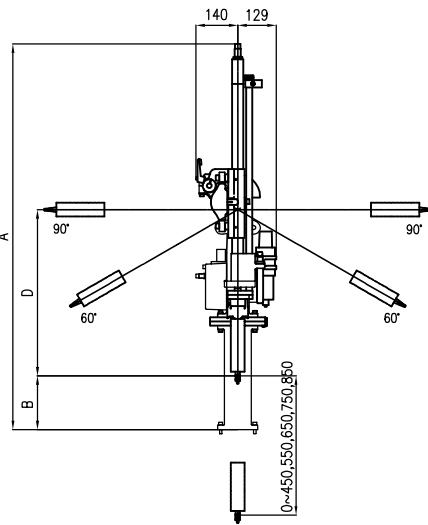
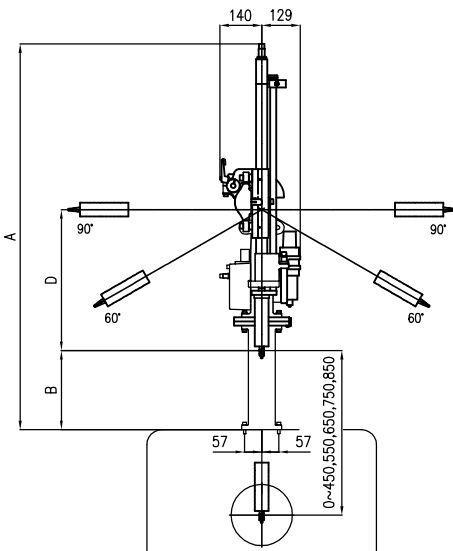
## Comments:

- 1.YSTV-series:Fitted with vacuum generator and vacuum fittings.
- 2.Adjustable Swing Angle:60°~90° (To operator's side or rear side)
- 3.Adjustable Gripper Rotation Angle:60°~100°
- 4.Strip Stroke:100 mm
- 5.Effective payload:4 kg
- 6.Compressed Air Pressure:0.5 MPa (5 bar)
- 7.Power Consumption :Approximately 40VA
- 8.Operation Voltage:1ϕ AC220V



## YSxxx

## YSTxxx & YSTVxxx



Model No.	YS450	YS550	YS650	YS750	YS850
A	1065~1265	1165~1365	1265~1465	1365~1565	1465~1665
B	115~315	115~315	115~315	75~275	75~275
C	1088~1288	1188~1388	1288~1488	1388~1588	1488~1688
D	421~621	421~621	421~621	461~661	461~661

Model No.	YST(V)450	YST(V)550	YST(V)650	YST(V)750	YST(V)850
A	1065~1265	1165~1365	1265~1465	1365~1565	1465~1665
B	30~230	30~230	30~230	0~190	0~190
C	1088~1288	1188~1388	1288~1488	1388~1588	1488~1688
D	506~706	506~706	506~706	546~736	546~736